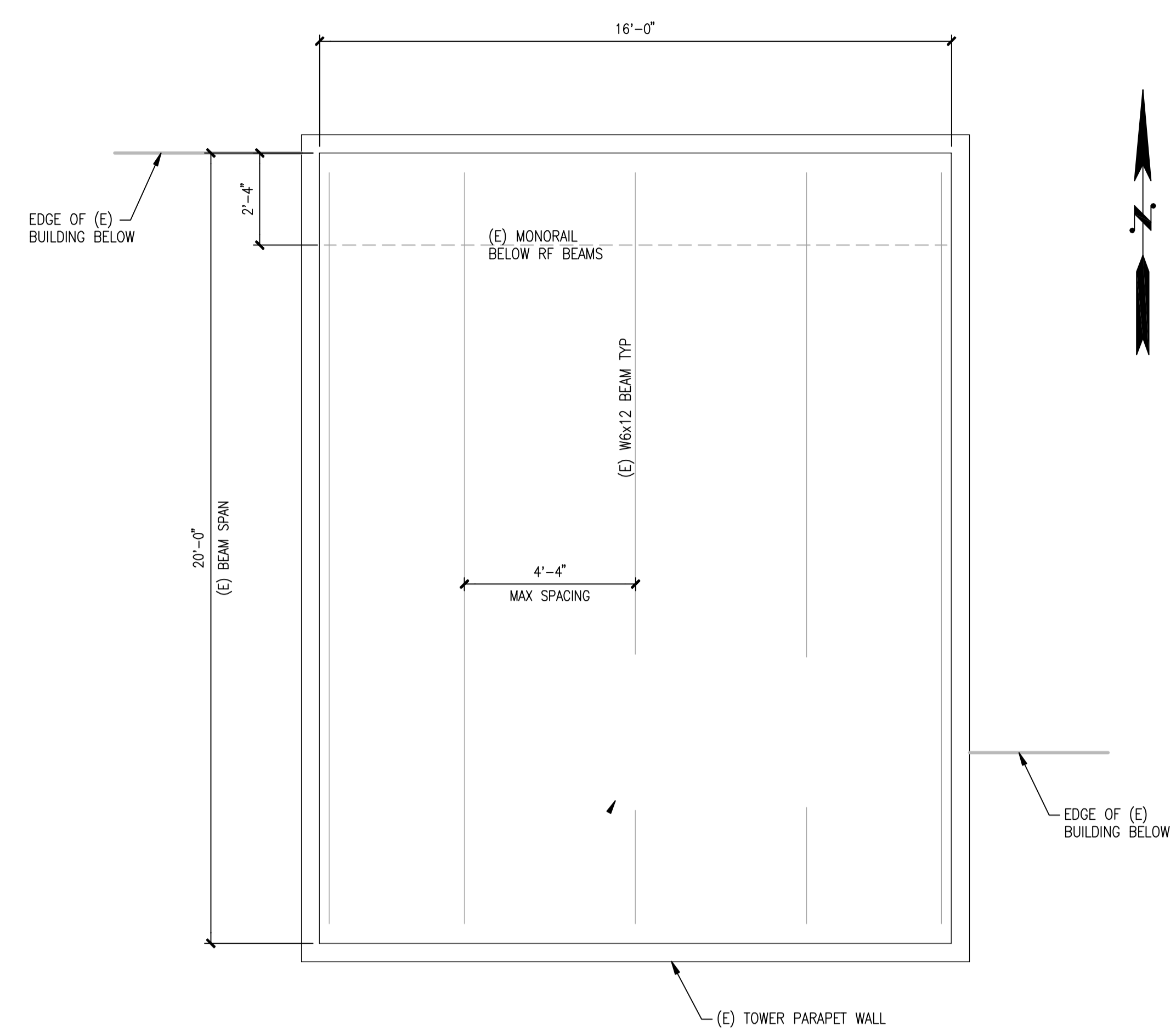
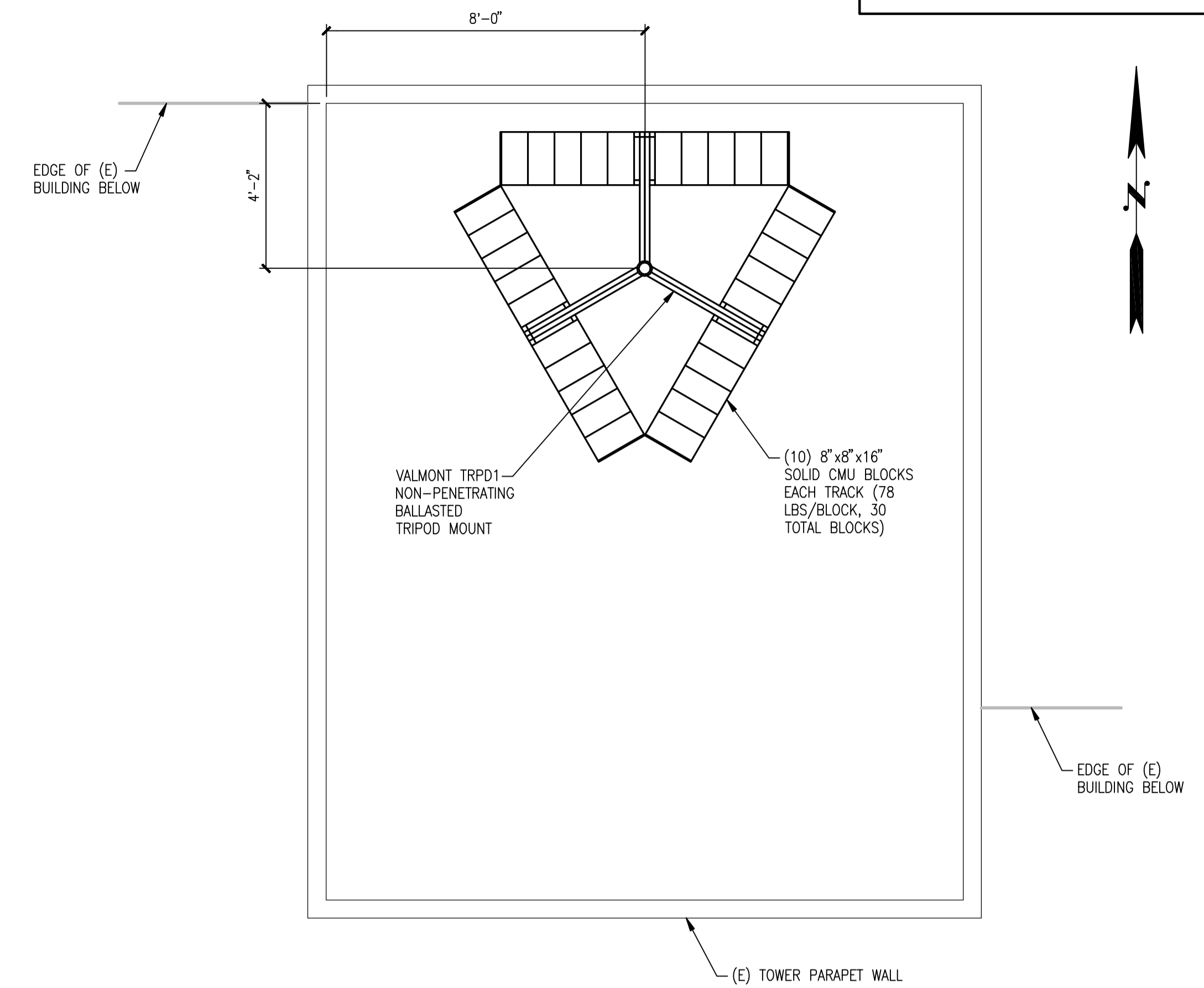


**DISCLAIMER**  
 THIS DESIGN IS SITE SPECIFIC AND TAKES INTO CONSIDERATION THIS SPECIFIC SITE'S SEISMIC, WIND AND SOIL CONDITIONS. LDC ASSUMES NO LIABILITY FOR THE USE OF THIS DESIGN OTHER THAN FOR THIS SINGLE INSTALLATION AND SPECIFIC SITE. IF THE DESIGN IS DEVIATED FROM FOR ANY REASON LDC MUST BE CONTACTED FOR REVIEW AND APPROVAL OF ANY CHANGES TO THE DESIGN.

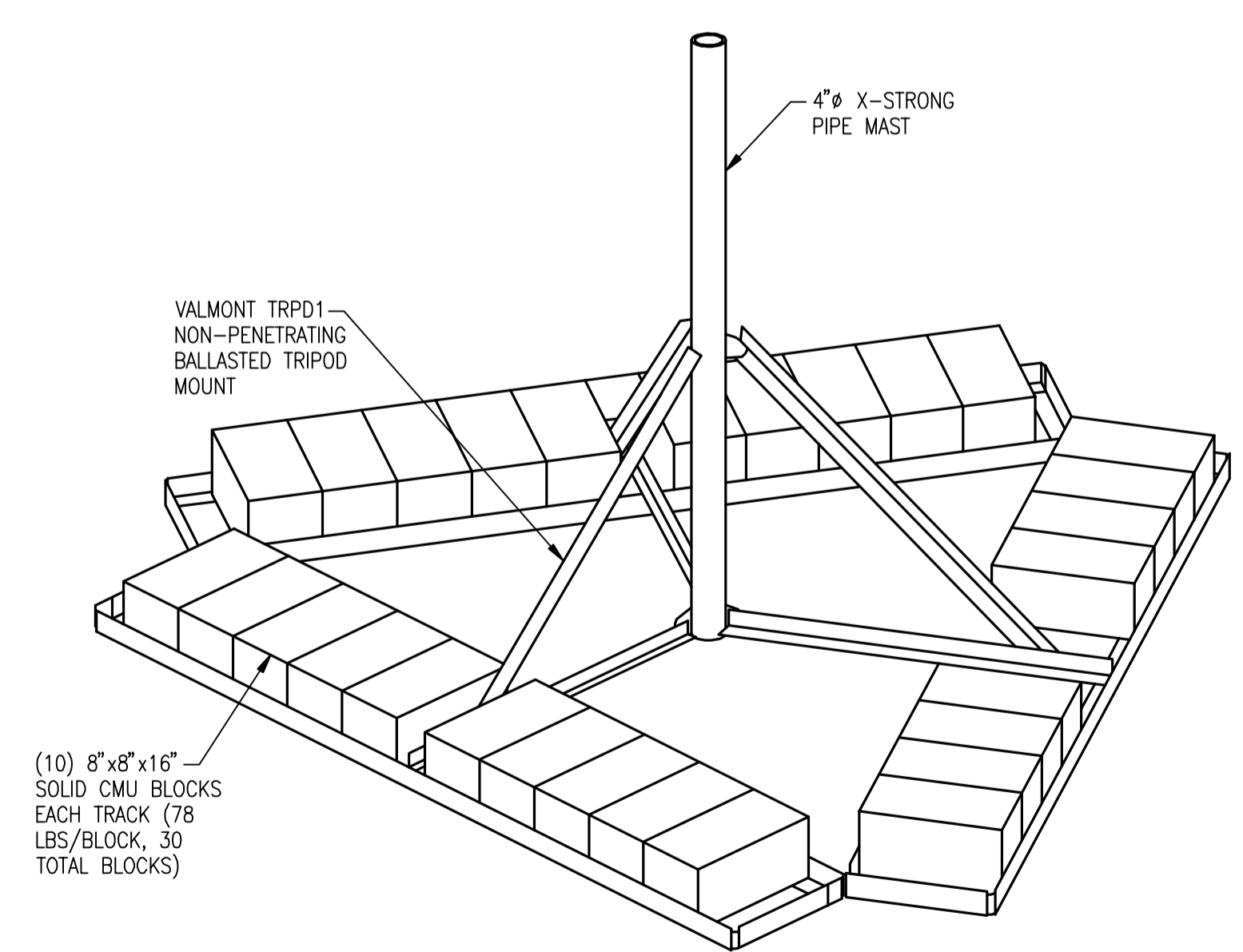


NOTE: CONTRACTOR TO VERIFY ALL MEMBER SIZES AND DIMENSIONS PRIOR TO PLACEMENT OF TRIPOD

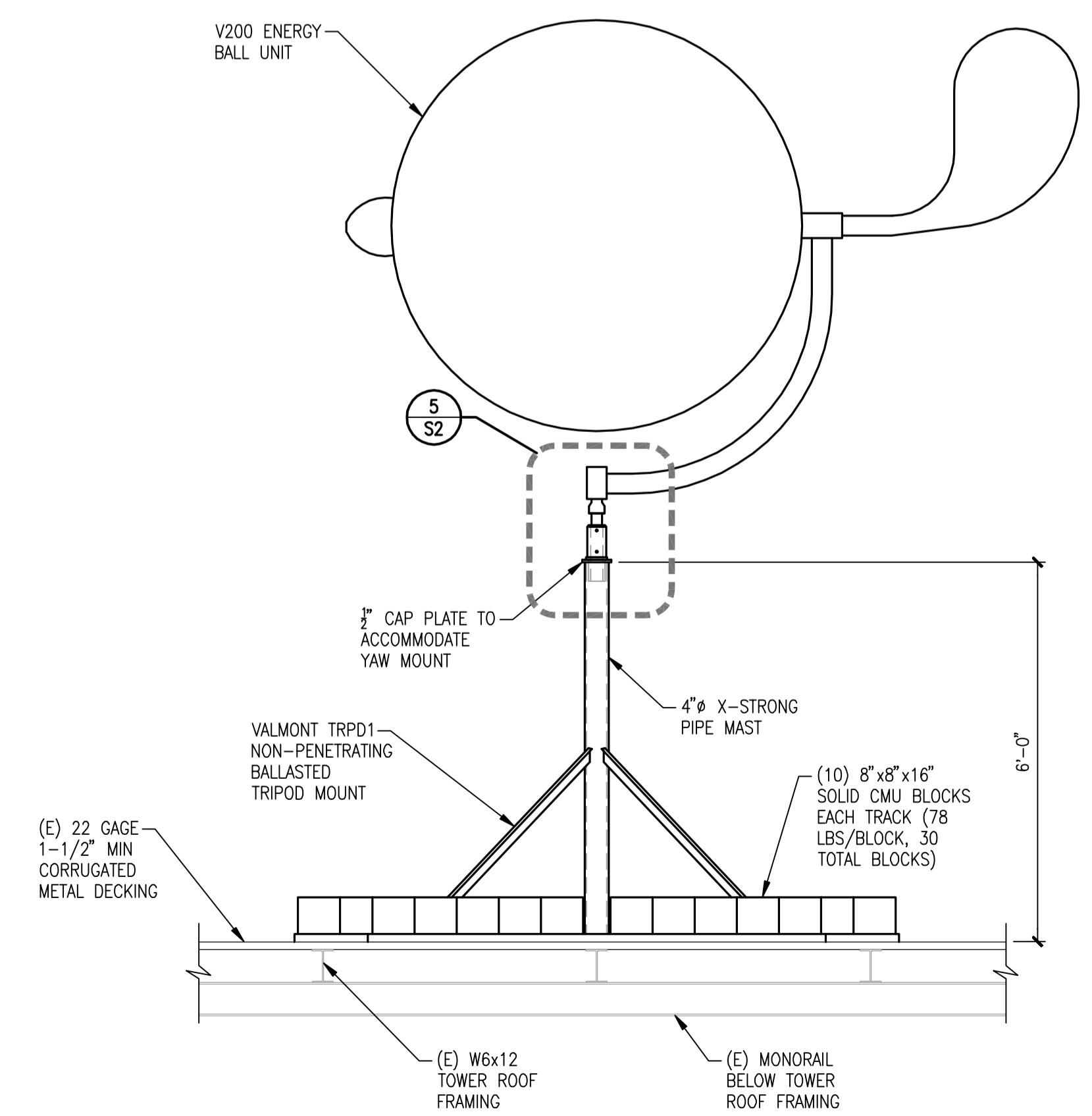
**EXISTING TOWER ROOF FRAMING PLAN**  
 SCALE: 3/8" = 1'-0" **1**



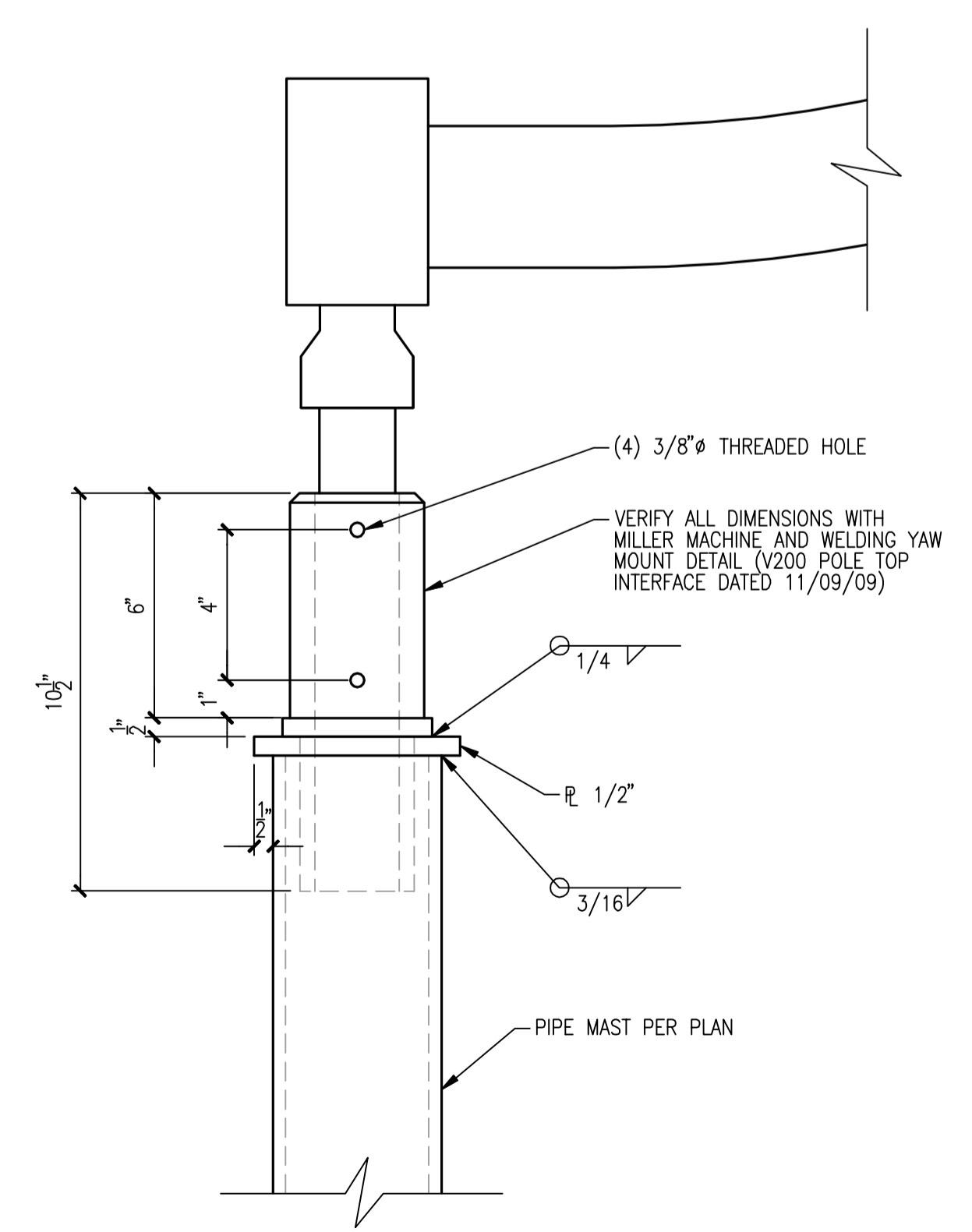
**TRIPOD PLACEMENT PLAN**  
 SCALE: 3/8" = 1'-0" **2**



**VALMONT TRPD1 TRIPOD MOUNT DETAIL**  
 SCALE: NTS **3**



**ENERGY BALL ASSEMBLY ELEVATION**  
 SCALE: 1/2" = 1'-0" **4**



**YAW MOUNT ATTACHMENT**  
 SCALE: 3" = 1'-0" **5**

NO.	DATE	DESCRIPTION	BY

NORTHWEST  
**WINDPOWER**  
 www.nwwindpower.net  
 Ph. 888.712.8088

**LDC**  
 THE CIVIL ENGINEERING GROUP  
 1501 NE 20th St. #100  
 Woodman, VA 22672  
 Ph. 435.885.8889  
 Fax. 435.885.2286  
 www.LDCorp.com

NORTHWEST WINDPOWER  
**PAINE FIELD**  
 ROOF PLAN AND ELEVATIONS



JOB NUMBER: 10-118  
 DRAWING NAME: 10118C-S2-0  
 DESIGNER: RJA  
 DRAFTING BY: RJA  
 DATE: 5-05-10  
 SCALE: AS NOTED  
 JURISDICTION: CITY OF EVERETT

**S2**  
 SHEET 2 OF 2

Drawing: P:\2010\10-118 NW Paine Field\Drawings\Construction\10118C-S2-0.dwg Plotted: May 05, 2010 - 2:05pm